



• ED2589M 3 Series.

DC Brushless fan.

Size: Ø 254 × 89 mm

Ø 10 x 3.5 inches

Airflow: Max. 820 CFM / 23.2 m³/min

Metal Frame / Metal Impeller

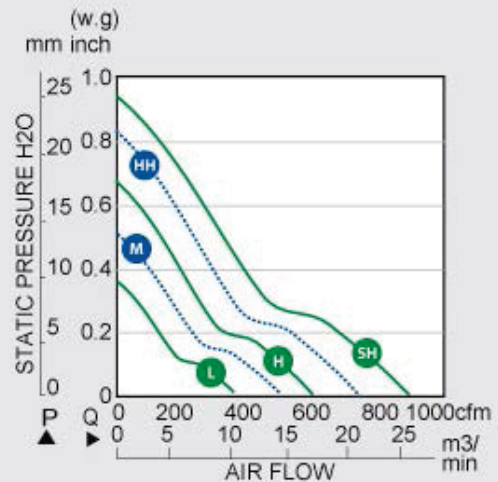
Model No.	Rated Voltage	Voltage Range	Input Power	Rated Current	Ref Speed	Max. Airflow		Max. Static Pressure		Noise Level	PQ Curves
	VDC	VDC	Watt	Amp	RPM	CFM	m ³ /min	Inch/H ₂ O	mm/H ₂ O	dB (A)	
ED2589M-12SH** 3	12	9~13.6	64.8	5.4	2900	800	22.7	0.57	14.48	66	SH
ED2589M-12HH**3	12	9~13.6	50.4	4.2	2500	685	19.4	0.48	12.19	62	HH
ED2589M-12H**3	12	9~13.6	23	1.9	2000	550	15.6	0.38	9.65	55	H
ED2589M-12M**3	12	9~14	13.2	1.1	1600	450	12.7	0.33	8.38	45	M
ED2589M-12L**3	12	10~16	5.5	0.45	1100	330	9.3	0.25	6.35	36	L
ED2589M-24SH**3	24	16~27	63.6	2.65	3000	820	23.2	0.59	14.99	66	SH
ED2589M-24HH**3	24	16~27	50.4	2.1	2500	685	19.4	0.48	12.19	62	HH
ED2589M-24H**3	24	16~27	24	0.97	2000	550	15.6	0.38	9.65	55	H
ED2589M-24M**3	24	16~27.6	13	0.52	1600	450	12.7	0.33	8.38	45	M
ED2589M-24L**3	24	18~30	5	0.2	1100	330	9.3	0.25	6.35	36	L
ED2589M-48SH**3	48	24~53	62.4	1.3	3000	820	23.2	0.59	14.99	66	SH
ED2589M-48HH**3	48	24~53	49.4	1.03	2500	685	19.4	0.48	12.19	62	HH
ED2589M-48H**3	48	24~53	23.5	0.48	2000	550	15.6	0.38	9.65	55	H
ED2589M-48M**3	48	28~58	14.5	0.3	1600	450	12.7	0.33	8.38	45	M
ED2589M-48L**3	48	28~63	5.8	0.12	1100	330	9.3	0.25	6.35	36	L

** = "BL" for Ball bearing wire lead type, or "BT" for Ball bearing terminal type.

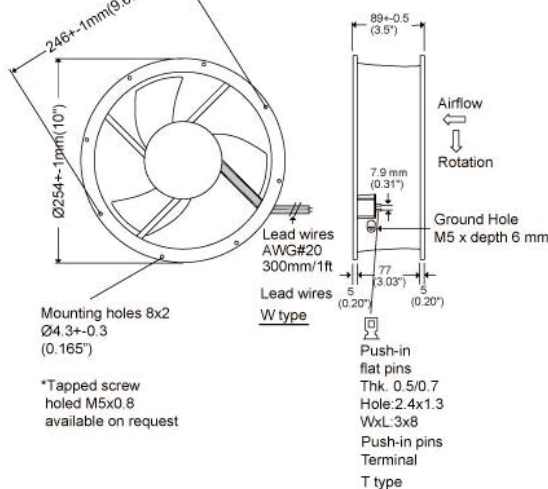
We Reserve the right to change data and improve electrical & mechanical design without notice, data tolerance +/- 10%

Motor Type:	Microprocessor brushless DC Motor, auto cutoff, auto restart
Burnout Protection:	Electronically protected, polarity protected
IP Protection:	IP55 , 56 Optional request
Mechanical	
Frame:	Aluminum die cast, Black color threadment
Impeller:	3 blades, all metal
Bearing:	Two ball bearings
Rotation:	CCW seen on rotor
Connection:	Wire lead or terminal flat pin or Terminal block
Weight:	2000 g (4.40Lbs)
Electronical	
Dielectric Strength:	500 VAC/min. Max leakage 500mA
Speed Control:	Optional:PWM, S/C NTC thermister,0~10V control voltage S/V
Signal Output:	Optional:R/D alarm output, tachometer output F/G
Environment	
Operating Temp:	-20°C~+65°C
Storage Temp:	-20°C~+75°C (at 65%RH)
Life Expectancy:	L10 50K hours at 50°C

► Performance P-Q Curves.



► Outline Dimensions.



Fan Accessories

